

Transparent level gauge type glass-mica

One sight opening, lateral connection, protective LED-light tube

Application and function

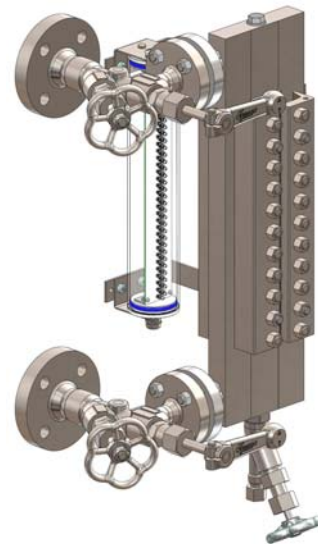
The transparent level gauge is a direct water level gauge with illumination which can be used for steam generators.

In the sight opening, the water level is visible at the interface between water level and steam. The product corresponds to the PED directive 97/23/EEC art. 3 par. 3 SEP (Sound Engineering Practice).

Applied rules as per TRD/AD200 or ASME-Boilers.

Technical basic equipment

- Body material carbon steel
- As left sided (mapped) or right sided model
- Sight lengths see table
- With drain valve and ventilation plug
- Illumination device IP67
- Shutoff valve type A130, A150 and A220
- Drain valve type AV500, AV 520



Available (optional) versions

- Body material according to ASME
- Other drain valve on request

Technical data

Allowable pressure	PS [bar]	20	32	50	80
Allowable temperature	TS [° C]	215	239	265	296
Shutoff valve	Type	A130		A150	
	Data sheet	D-09-D-16354-1		D-09-D-16355-1	
	Type	A220			
	Data sheet	D-09-D-16356-1			
Drain valve	Type	AV500		AV520	
	Data sheet	D-09-D-16358-0			

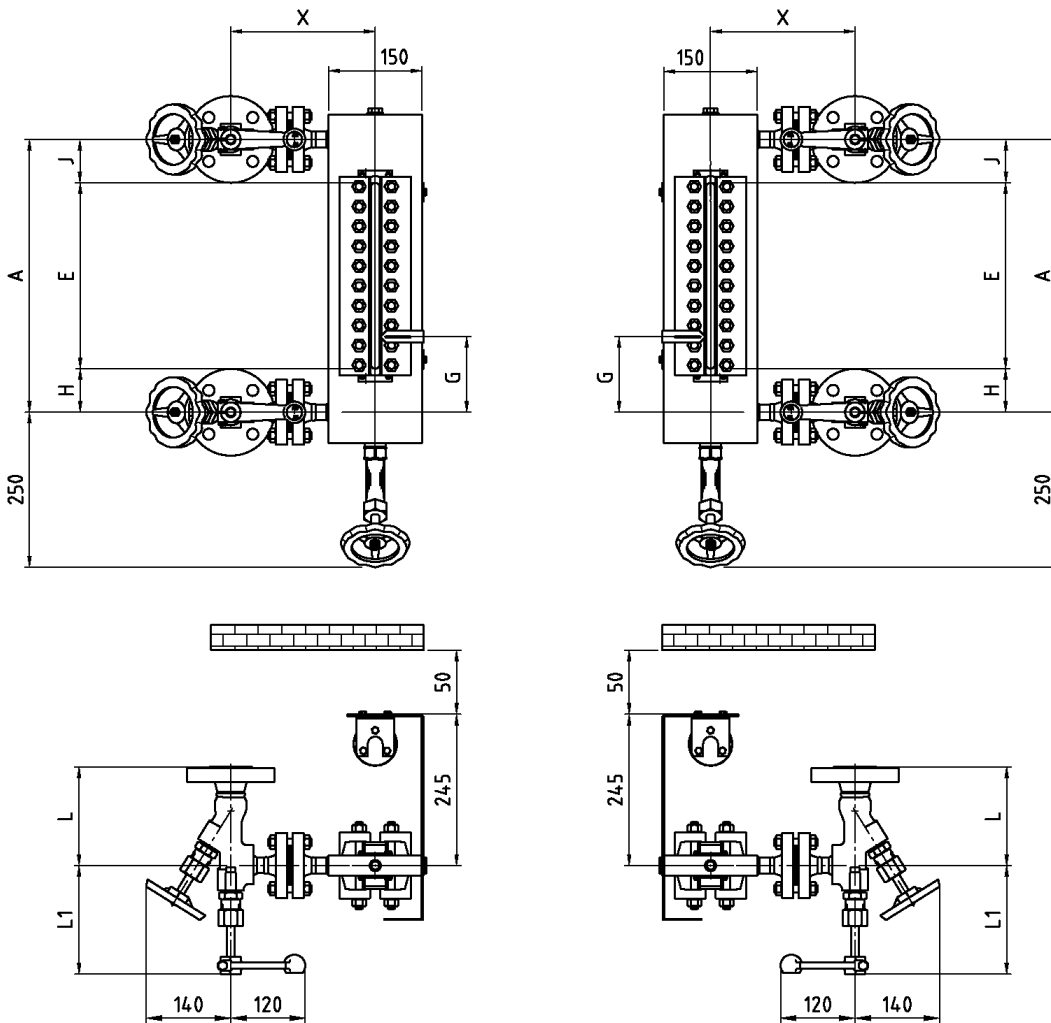
illumination	
Protective LED-light tube	
IP67 230V / 50Hz oder 110-120V / 60Hz	
Without switch box	D-A1-D-18931-0
With standard switch box	D-A1-D-20722-0



Dimensions and tables

Left sided model

Right sided model



Size		7	8	9	10	11
Sight length	E	260	300	320	350	400
Dimension	H/J _{min} [mm]	25				
	H/J _{max} [mm]	on request				

Other sizes on request.



Information:

Depending on the size and version of the level gauge the customer has to arrange a sufficient brace support (eg. spring suspension etc.)



Zulässiger Druck PS [bar]	Ventil	Flansch	Anschweißende	X [mm]	L [mm]	L1 [mm]
20-32	A130	DN20 DIN 2365-C		225	140	175
20-32	A130	DN25 DIN 2635-C		225	119	175
20-32	A130		DN20 DIN 3229	225	130	175
20-32	A130		DN25 DIN 3229	225	130	175
20-32	A220	DN20 DIN 2635-C		225	170	175
50-80	A150	DN25 DIN 2638-E		235	130	175
50-80	A220	DN25 DIN 2638-E		235	160	175
50-80	A220		DN25 DIN 3229	235	160	175

